

# SPECTRUM TRACK SWITCH HEATERS

## RAIL HEATERS AND CRIB HEATERS

QUALITY | RELIABILITY | LIFE CYCLE ECONOMICS

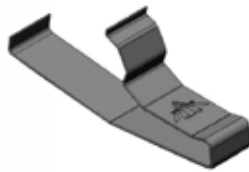
**PROVEN, LEADING-EDGE TECHNOLOGY.**  
**24-HOUR SHIPPING ON STANDARD SIZES.**  
**TRACK SWITCH HEATERS ARE IN STOCK.**

### Spectrum Track Switch Heaters

We offer you proven, leading-edge technology in track switch heaters and stock standard sizes of rail heaters and crib heaters to give you a superior product and quick shipment. We ensure high reliability and take quality seriously. Discover the Spectrum difference.



Spectrum Flat-Jacket Snow Melter with SnapTite Rail Clip.



SnapTite Rail Clip  
Part No. RRSC-FJ-SP



Bolt-On Rail Clip  
Part No. RRSC-FJ-SLOT

### SnapTite Rail Clip

**Easy Installation-** No special tools required, snaps onto base of rail with simple hand pressure or hammer. Typically installed on the outside of the rail.

**Safety First-** Greatly reduces the possibility of a pinch point and flying metal.

### Bolt-On Rail Clip

**Installation-** Typically installed on the inside of the rail when solid braces prevent the installation on the outside of the rail or if the preference is to install the flat-jacket snow melter on the inside. Clip can also be welded on.

### Flat-Jacket Snow Melters

**Flat Profile Design-** 570% greater contact to rail surface.

**Heat Output-** Available in 300 w/ft and 500 w/ft by request.

**Industry Leading Lengths-** Up to 34 feet with NO SPLICE.

**Maximum Moisture Resistance-** Chemically treated Magnesium oxide.

**Single Ended Termination-** Quick and easy installation.

**24-Hour Shipping on Standard Sizes-** Lengths of 8ft., 16ft., 18ft., 26ft. and 34ft., in 240 and 480 Volts.

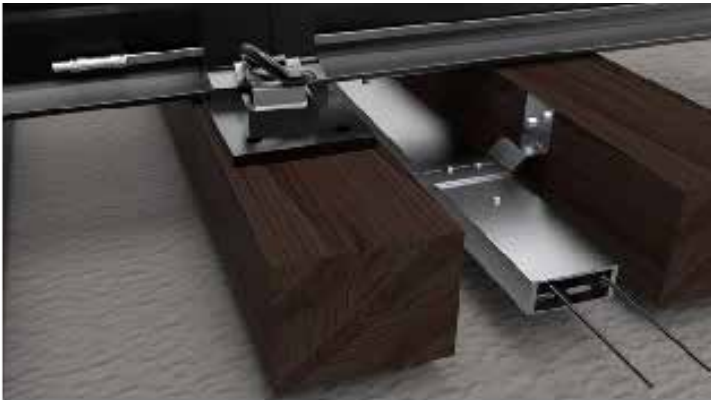
**Additional Lengths-** Also available in 14.5ft. in 480V.

# SPECTRUM TRACK SWITCH HEATERS

## RAIL HEATERS AND CRIB HEATERS

### Crib Heaters

Eliminate ice and snow at the critical crib area of the switch by installing a Spectrum Crib Heater. Also known as pan or ballast heaters, they heat the movable parts of the switch machine and improve operation. Crib heaters are often installed together with flat-jacket snow melters for a more complete heating solution.



### Spectrum Crib Heater

All Aluminum construction.  
 Standard Length: 8ft.  
 Other Lengths: 10ft. and custom by request.  
 15ft. leads.  
 Low 1" profile.  
 240, 480, 600 Volts.  
 2,400W (8ft.) and 3,000W (10ft.).  
 Vented element protection plate.  
 24-Hour shipping of standard size.

### Flat-Jacket Snow Melter Buyer's Guide

Part Number	Wattage	Voltage	No. of Clips Needed	Recommended Turnout Size
FJ-480-8	2,400	480V	5	Moving Rail
FJ-480-14.5	4,350	480V	9	#8,9,10,11
FJ-480-16	4,800	480V	10	#8,9,10,11
FJ-480-500-16	8,000	480V	10	#8,9,10,11
FJ-480-18	5,200	480V	11	#8,9,10,11
FJ-480-26	7,600	480V	16	#12,15
FJ-480-34	9,600	480V	21	#20,24

Part Number	Wattage	Voltage	No. of Clips Needed	Recommended Turnout Size
FJ-240-8	2,400	240V	5	Moving Rail
FJ-240-16	4,800	240V	10	#8,9,10,11
FJ-240-18	5,200	240V	11	#8,9,10,11
FJ-240-26	7,600	240V	16	#12,15
FJ-240-34	9,600	240V	21	#20,24

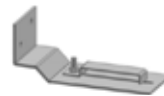
### Crib Heater Brackets

Rigid design resists heaving and prevents failure. Crib Heater brackets are produced in two different options shown below.



#### Part No. SHBC-TIE-BRACKET

New Design: 1" wider than previous version.  
 Standard: 2 Brackets per crib heater.  
 Secures the crib heater in place.



#### Part No. SHBC-CEB

New Design for use with element only.  
 Standard: 2 brackets per element.  
 Optional: 3 brackets per element.